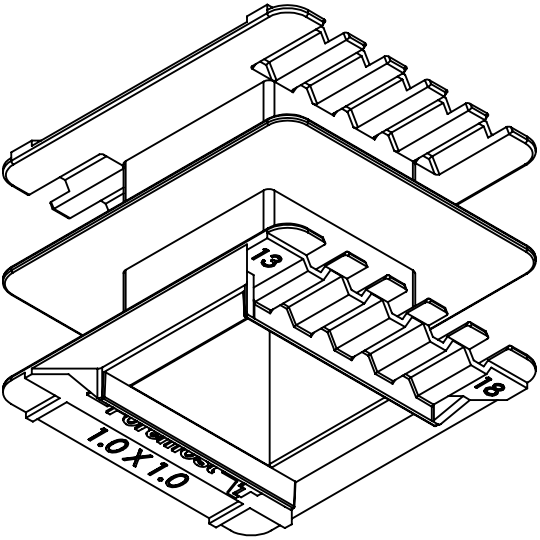
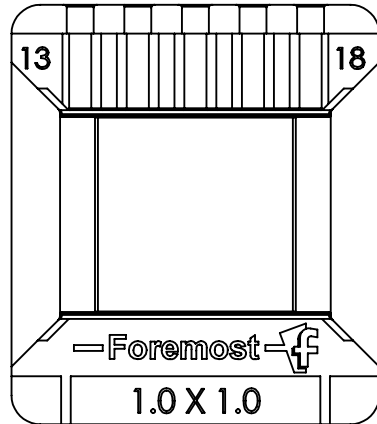
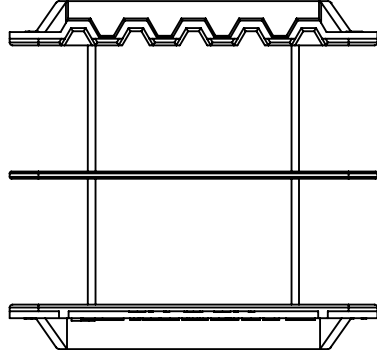
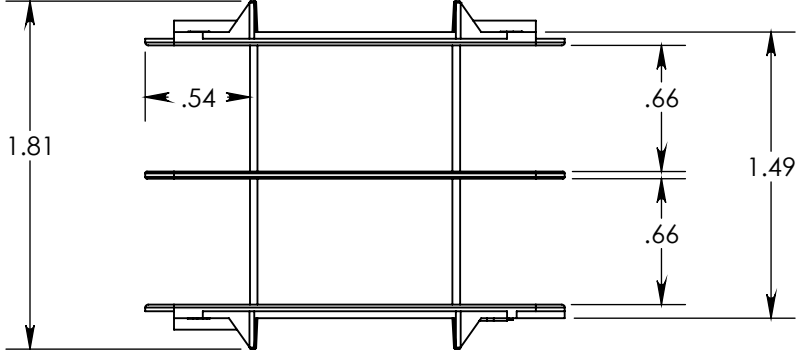
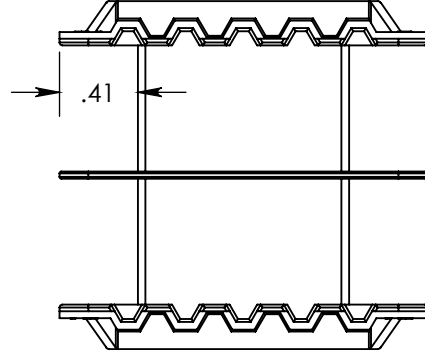
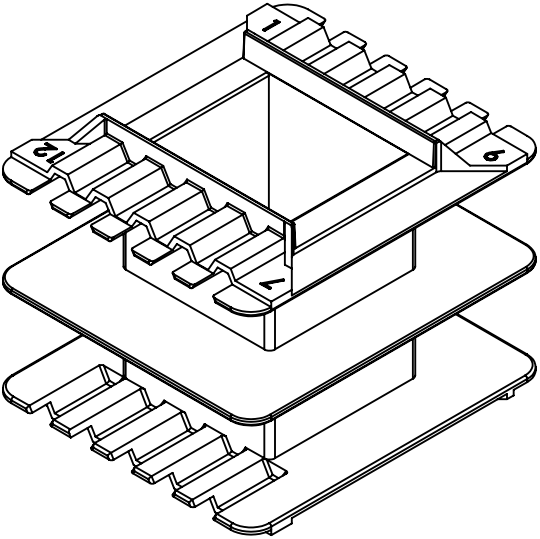
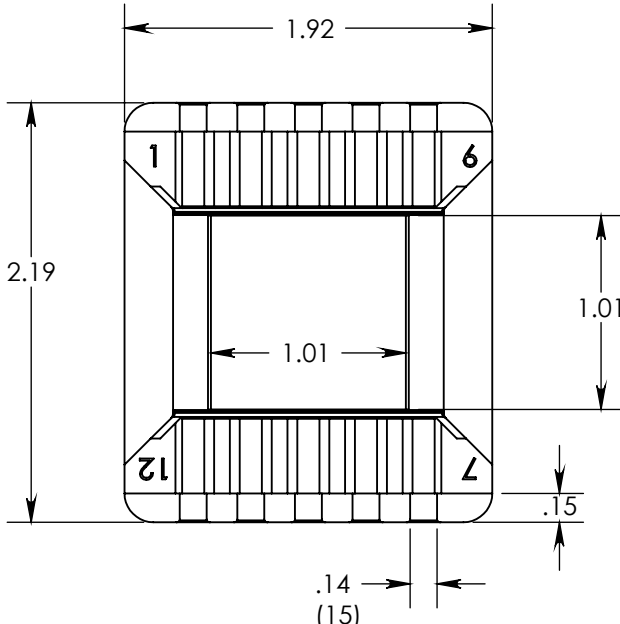


EI 100 x 1  
 5-6061 SL-DS  
 Slotted, Double Section



All dimensions for reference only. Samples available upon request.  
 Foremost Plastic Products Company, inc. Phone 1-708-452-5300  
 E-Mail: sales@foremostplastic.com Fax 1-708-452-0446